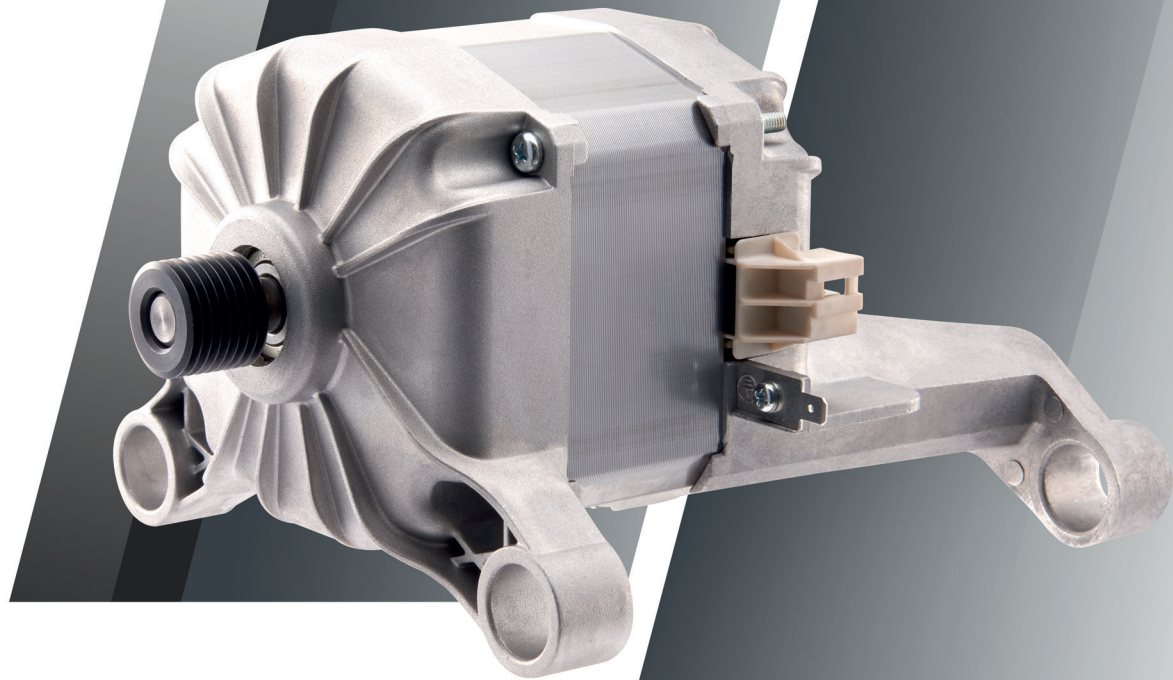
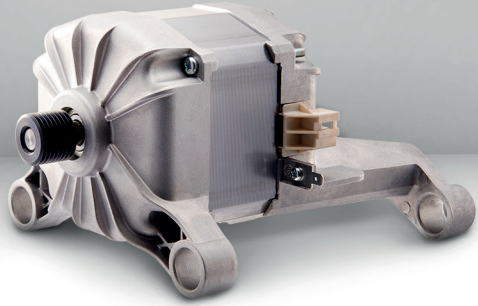


---

# LG Belt BLDC Motor for Laundry

LG Compressor and Motor offer meaningful and unique solutions to respond to emerging sustainability needs with environmentally sound and energy saving technologies.



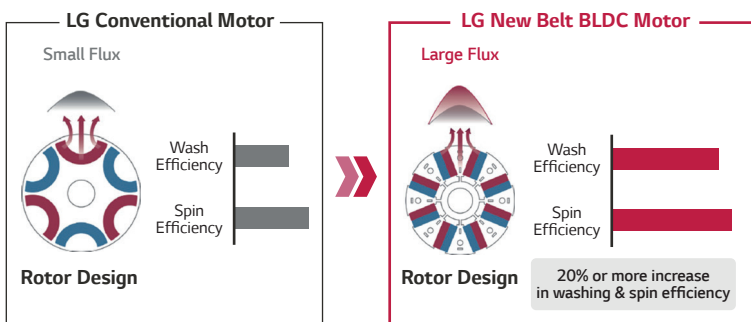


# Belt BLDC Motor

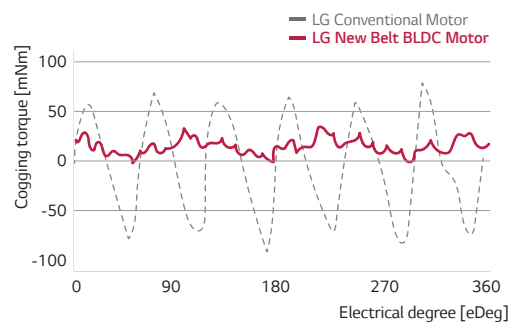
LG Belt BLDC motor is a standard component for top loader and front loader washing machine. LG Belt BLDC motor can maximize washing efficiency compare with conventional AC motor, while reducing its size to give more space to washing machine.

## FEATURES

- High performance design
- High efficiency and compact electromagnetic design



- Low noise & vibration
- Low noise by optimizing cogging torque



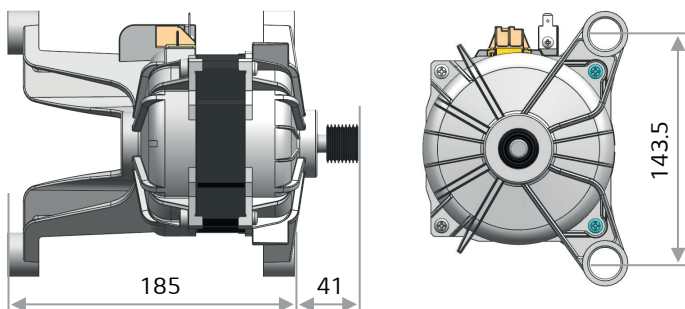
## SPECIFICATIONS

For Front Loader				
Stack [mm]		22	32	47
Output [W]	wash	37	50	62
	spin	340	460	530
Speed [RPM]	wash	500~600	500~600	500~600
	spin	16000	14630	12800
Torque [Nm]	wash	0.6	0.8	1.0
	spin	0.2	0.3	0.4

For Top Loader	
Stack [mm]	17
Output [W]	150
Speed [RPM]	2800
Torque [Nm]	0.5

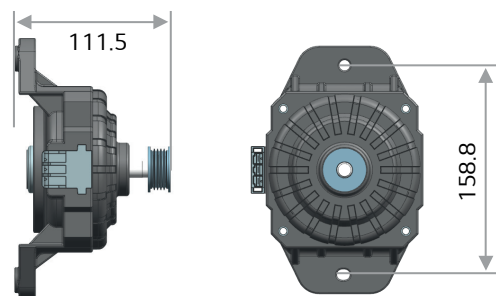
## DIMENSIONS

For Front Loader



For Top Loader

Unit : mm



Headquarter, Korea - 76 Seongsan-dong, Changwon City Gyeongnam, 51554, South Korea  
 Nanjing Plant, China - 28, Yongfeng Dadao, Nanjing, China  
<https://www.lg.com/global/business/compressor-motor>

For continual product development, LG reserves the right to change the specifications without notice.  
 Copyright © 2021 LG Electronics Inc. All Rights Reserved.

